

RL 110 A Active Directional Speaker with Supercardioid Pattern



Description

The RL 110 A directional speaker has been specially developed for the targeted acoustic irradiation of confined listening areas.

The speaker system offers a supercardioid pattern over the entire frequency range. The speaker is either suspended from the ceiling or mounted with our I-bracket WH 110 on wall or ceiling. For optimum results, the distance between the speaker and listener should be as short as possible.

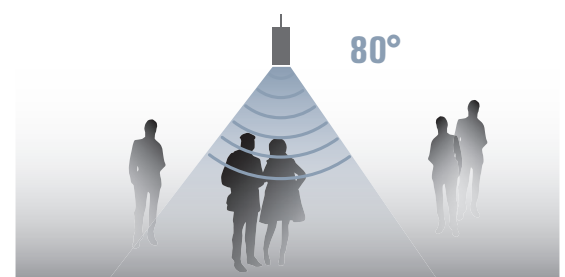
A stereo-cinch input with volume control, the power LED and a connection for the external power supply are located on the rear. MP3 players and computers can be directly connected thanks to the high input sensitivity.

Key Features

- Active directional speaker
- Supercardioid pattern
- 80° nominal dispersion
- 3" full-range driver
- 20 watts amplifier power
- Stereo-cinch input
- Standard finish: white and black
- Switchable high-pass filter (HPF)
- Auto ON/OFF

Fields of Applications

- Exhibitions, trade fairs
- Museums
- Shops, sales rooms

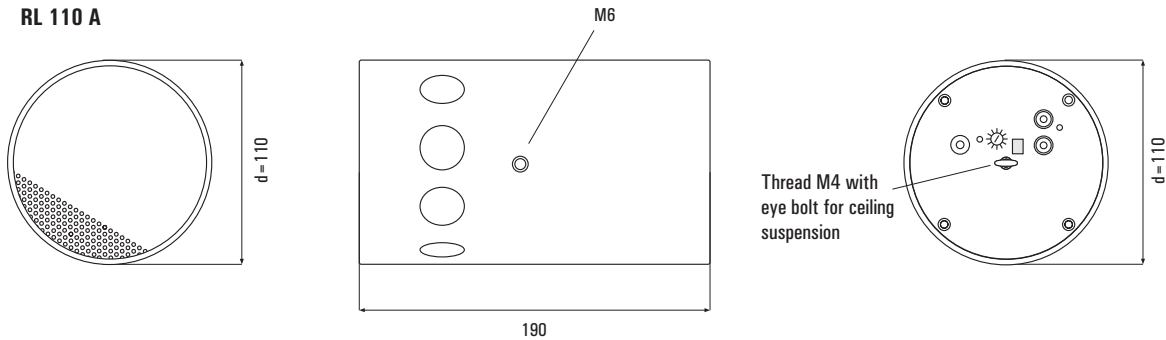


Minimum lateral sound radiation and a short distance allows focused acoustic irradiation to the visitors.

RL 110 A

Active Directional Speaker with Supercardioid Pattern

Dimensions RL 110 A



Technical Data

Principle	Active full-range directional speaker with supercardioid pattern
Components	3" full-range driver
Frequency range	190 Hz – 19 kHz
Amplifier output	20 watts
Sensitivity	Maximum SPL 95 dB (1 W @ 1m)
Nominal dispersion	80°
Connectors	Input cinch stereo
Input sensitivity	-6 dBu for full modulation, input-impedance 10 kohms
Operational controls	Volume control, switch auto ON/ steady ON, switchable high-pass filter, LED power ON
Power supply	15 V DC power supply, included in delivery
Mains	90 – 230 V AC
Dimensions	d = 110 mm, l = 190 mm
Weight	1.4 kg
Cabinet	Aluminium, front precision stell grille, powder-coated
Fastening points	Suspension point at rear M 4 with eye bolt, threaded insert M 6 laterally for optional wall mount WH 110
Warranty	5 years

Model

Version

RL 110 A White	RAL 9016
RL 110 A Black	RAL 9005

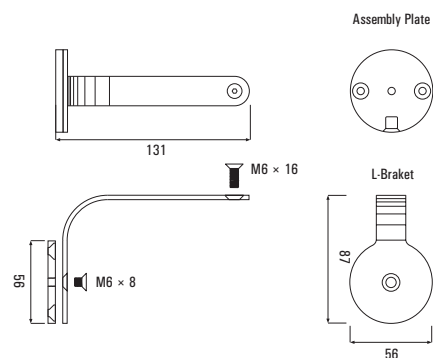
Other colors and versions on request.

Accessories

WH 110 White		L-braket with assembly plate, incl. savety rope
WH 110 Black		L-braket with assembly plate, incl. savety rope
SR 300		Stainless steel rope for pendant mounting, lenght 3 m, thickness 1 mm, one side with loop

Dimensions Wall Mount

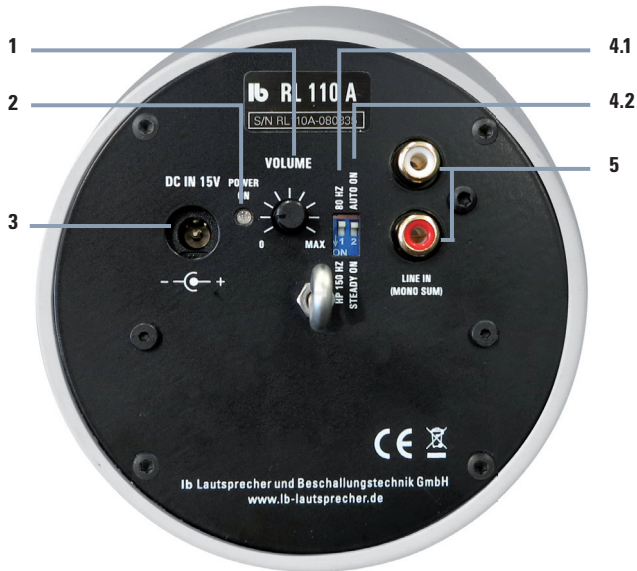
WH 110 L-Bracket



RL 110 A

Active Directional Speaker with Supercardioid Pattern

Operational Controls

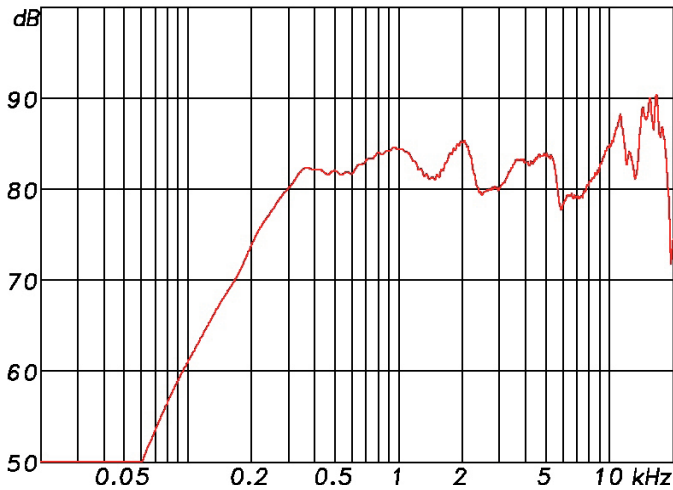


- 1 VOLUME
- 2 LED POWER ON
- 3 DC IN 15 V
- 4.1 DIP-Switch – 80/150 Hz HPF
- 4.2 DIP-Switch – AUTO ON/STEADY ON
- 5 LINE IN (MONO SUM)

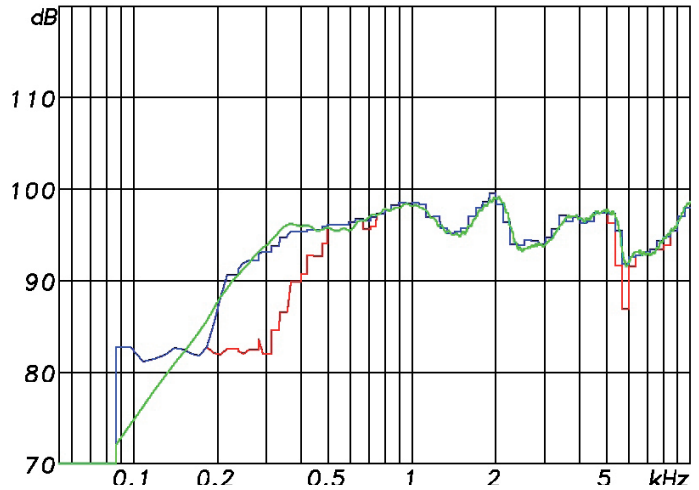
See further technical informations in the datasheets and on our website:
<https://www.lb-lautsprecher.de/en/Directional-Speakers>

Measuring Diagrams

RL 110 A Sens. 2.83 V/1m: 79.5 db (100-10k) 197 Hz - 19,5 kHz (-6 dB)



RL 110 A max. SPL @ 3% and 10% distortion threshold 20 W max. power



RL 110 A directivity plot

